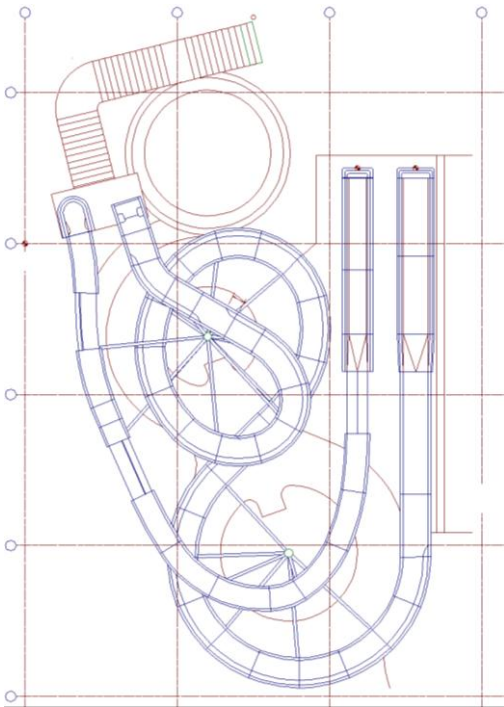


Kettering Leisure Village



Overall Client : Kettering Borough Council

Main Contractor : Balfour Beatty Building Ltd

Sub Contractor : Whitewater Leisure Ltd

MSJ Commission : 3D Slide Path Geometry
Slide Support Structures
Access Stairs & Platform

Details of Slides :

Path A : 1.0 m wide open Superflume, 73 m long

Path B : 0.8 m dia Aquatube, 39 m long

The slide installation at Kettering is typical of a large number of similar projects for which Melia Smith & Jones have provided Structural Engineering Services for Whitewater Leisure.

The limited space and the location of the slides, over the leisure pool itself, required a compact arrangement for the slides and the supports. The access stair with its curved mid landing was fitted neatly into a corner of the pool hall to maximise circulation space.

The slide support structures are designed to cater for the dynamic forces of riders on the slide.



Melia Smith & Jones have provided Structural Engineering Services to many of the world's major Water Slide Manufacturers on a large number of projects throughout the UK, Europe and the rest of the world.

Extensive use is made of computer aided design and drawing to generate and manipulate complex 3D slide paths and structures. MSJ have developed computer programs in-house, interfaced with their CADD system, to ensure speed and accuracy in carrying out these tasks.

A 3D computer model is created both for visualisation and clash detection.

Rendered perspective views can be created at proposal stage to enable the Client to fully visualise the impact of the development on the site.

Final design with detailed drawings ensures that site construction consists of assembling a kit of pre-fabricated and pre-drilled components.